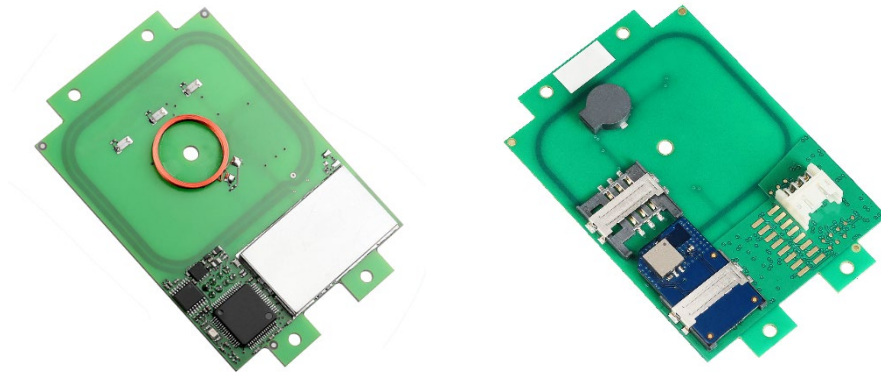


TWN4 MultiTech 2 LEGIC M

(LEGIC SM-4200/4500 frontend)

Multi-frequency RFID module (LF/HF) with NFC and BLE support



TWN4 MultiTech 2 LEGIC M
(exemplary illustrations)

The contactless RFID readers and modules of the ELATEC TWN4 MultiTech 2 LEGIC family are a direct enhancement of the TWN4 MultiTech LEGIC readers with the same form factors (PCB modules and desktop readers with housing). During the development of the TWN4 MultiTech 2 LEGIC family, special emphasis has been placed on optimizing the HF performance (13.56 MHz). Compared to the predecessor TWN4 MultiTech LEGIC, the read range could be increased by more than 50% for LEGIC transponders and even doubled for some HF transponders.

Key features of the TWN4 MultiTech 2 LEGIC M reader module include a powerful SDK for writing apps that are executed directly on the module, the possibility to upgrade the firmware in the field, transparent data exchange with the RFID media, and a powerful BLE module. Additionally, the module can read more than 60 RFID technologies from low (LF) and high frequency (HF) bands, including NFC. This gives the option to select as many of the technologies required instead of being forced to select just a few ones.

Special features:

- + Possibility to read more than 60 RFID technologies
- + Two RFID frequencies (125 kHz/13.56 MHz), NFC and BLE in a compact form factor for easy integration
- + Optimized HF and BLE read performance
- + Powerful SDK for writing apps which are executed directly on the module
- + Firmware update in the field possible
- + On-board 18 kB flash storage, e.g. for storing user accessible non-volatile data
- + Supports transparent data exchange with RFID media
- + CCID and PC/SC 2.01
- + Support of segment initialization function (LEGIC SM-4500 frontend only)



Elevator



EV Chargers



Access



Shop POS



Fitness
Equipment



Ticket POS



PC Log-on



Document
Management



Driver ID



Vending



Parking



Gaming



Locker Locks

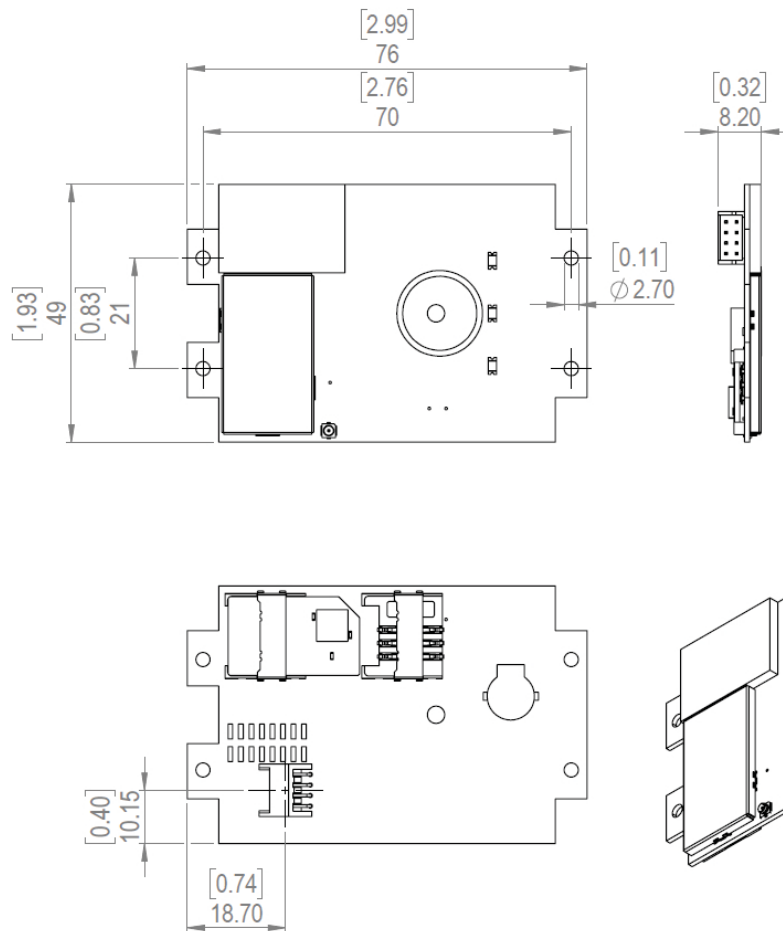


Time
Attendance



Industrial
PC

TECHNICAL DRAWINGS



All measures in mm [inch]

ELATEC

RFID Systems

ALLEGION™

An Allegion Brand

HQ / EUROPE

ELATEC GmbH
 Zeppelinstraße 1
 82178 Puchheim, Germany
 P +49 89 552 9961 0
 F +49 89 552 9961 129
 info.elatec@allegion.com

AMERICAS

ELATEC Inc.
 1995 SW Martin Hwy.
 Palm City, FL 34990, USA
 P +1 772 210 2263
 F +1 772 382 3749
 info.elatecus@allegion.com

APAC

ELATEC Singapore
 1 Scotts Road #21-10 Shaw
 Centre, Singapore 228208
 P +65 9670 4348
 apac.info.elatec@allegion.com

MIDDLE EAST

ELATEC Middle East
 Trading FZE
 P.O. Box 16868, Dubai, UAE
 P +971 50 9322691
 info.elatec.ue@allegion.com

elatec.com

ELATEC reserves the right to change any information or data in this document without prior notice. ELATEC declines all responsibility for the use of this product with any other specification but the one mentioned above. Any additional requirement for a specific customer application has to be validated by the customer themselves at their own responsibility. Where application information is given, it is only advisory and does not form part of the specification. Disclaimer: All names used in this document are registered trademarks of their respective owners.