

TWN4 MultiTech 2 HF PCSC

Single-frequency PC/SC RFID reader (HF) with NFC support



TWN4 MultiTech 2 HF PCSC
(exemplary illustration)

The TWN4 MultiTech 2 family of contactless RFID readers and modules allows users to read and write to almost any LF and HF tags and labels. All products support NFC and, optionally, Bluetooth Low Energy (BLE). In addition, they are also compatible with the two most commonly used smartphone operating systems, Android and iOS, which gives the option to integrate them in mobile identification applications. The desktop readers are available as Plug & Play devices that can be easily customized (i.e. inlay design), whereas the PCB modules offer a large amount of interfaces and a perfect form factor for an easy and quick integration in any host device. This broad range of product features makes the TWN4 MultiTech 2 family an excellent solution for almost every project.

Key features of the TWN4 MultiTech 2 HF PCSC desktop reader include a powerful SDK for writing apps that are executed directly on the reader, the possibility to upgrade the firmware in the field, and transparent data exchange with the RFID media. Thanks to its PC/SC interface and CCID protocol, it is also the perfect reader for Single Sign-on applications. Additionally, the reader can read a lot of HF RFID technologies from the 13.56 MHz frequency band, including NFC. This gives the option to select as many of the technologies required instead of being forced to select just a few ones.

Special features:

- + Possibility to read many HF RFID technologies
- + Plug & Play Single Sign-on device
- + Powerful SDK for writing apps which are executed directly on the reader
- + Firmware update in the field possible
- + On-board 18 kB flash storage, e.g. for storing user accessible non-volatile data
- + Supports transparent data exchange with RFID media
- + CCID and PC/SC 2.01
- + Customizable inlay design



Elevator



EV Chargers



Access



Shop POS



Fitness
Equipment



Ticket POS



PC Log-on



Document
Management



Driver ID



Vending



Parking



Gaming



Locker Locks



Time
Attendance



Industrial
PC

TECHNICAL DATA

| | |
|------------------------------------|---|
| FREQUENCY | 13.56 MHz (HF) |
| ANTENNA | Integrated |
| HOUSING | Material: ABS UL94-V0 Color: black or white |
| DIMENSIONS (L X W X H) | Approx. 88.00 x 56.00 x 18.50 mm / 3.46 x 2.20 x 0.73 inch |
| POWER | USB: 4.3 V - 5.5 V ES1/PS2 classified power source according to IEC 62368-1, short-circuit current < 8 A |
| CURRENT CONSUMPTION | RF field on: 200 mA typically |
| TEMPERATURE RANGE | Operating: -25 °C up to +70 °C (-13 °F up to +158 °F) Storage: -40 °C up to +75 °C (-40 °F up to +167 °F) |
| RELATIVE HUMIDITY | 5% to 95% non-condensing |
| READ/WRITE DISTANCE | Up to 100 mm / 4 inch, depending on environment and transponder |
| OPERATING MODES (USB) | CCID / PC/SC 2.01 |
| MTBF | 500,000 hours |
| WEIGHT | Approx. 115 g / 4.06 oz (with cable) |
| SUPPORTED OPTIONS AND TRANSPONDERS | Depending on the firmware version and installed options, ELATEC readers and modules can support a wide range of RFID technologies. Please refer to the relevant ELATEC transponder matrix (available at www.elatec-rfid.com/int/transponder-technology) for more information about the available options and RFID technologies supported by the product. |
| OS SUPPORT | Windows 7 (32-/64-bit) and higher versions, Linux, Android ¹⁾ , iOS ¹⁾ , MAC OS X ¹⁾ |
| PERIPHERAL INTERFACES | USB, 1 SAM slot for ID-000 card format |
| TRANSMISSION SPEED | Host: USB full speed (12 Mbit/s), HF Air: up to 848 kbit/s |
| CERTIFICATION NAME | TWN4 MultiTech 2 HF |
| CERTIFICATIONS | Non-exhaustive list ²⁾ : CE/RED, FCC, IC, TAA compliant, REACH and RoHS-III compliant |
| ORDER CODES | T4BT-FB2BEL2-LCCID Standard reader, USB cable, black housing T4BT-FB2WEL2-LCCID Standard reader, USB cable, white housing |

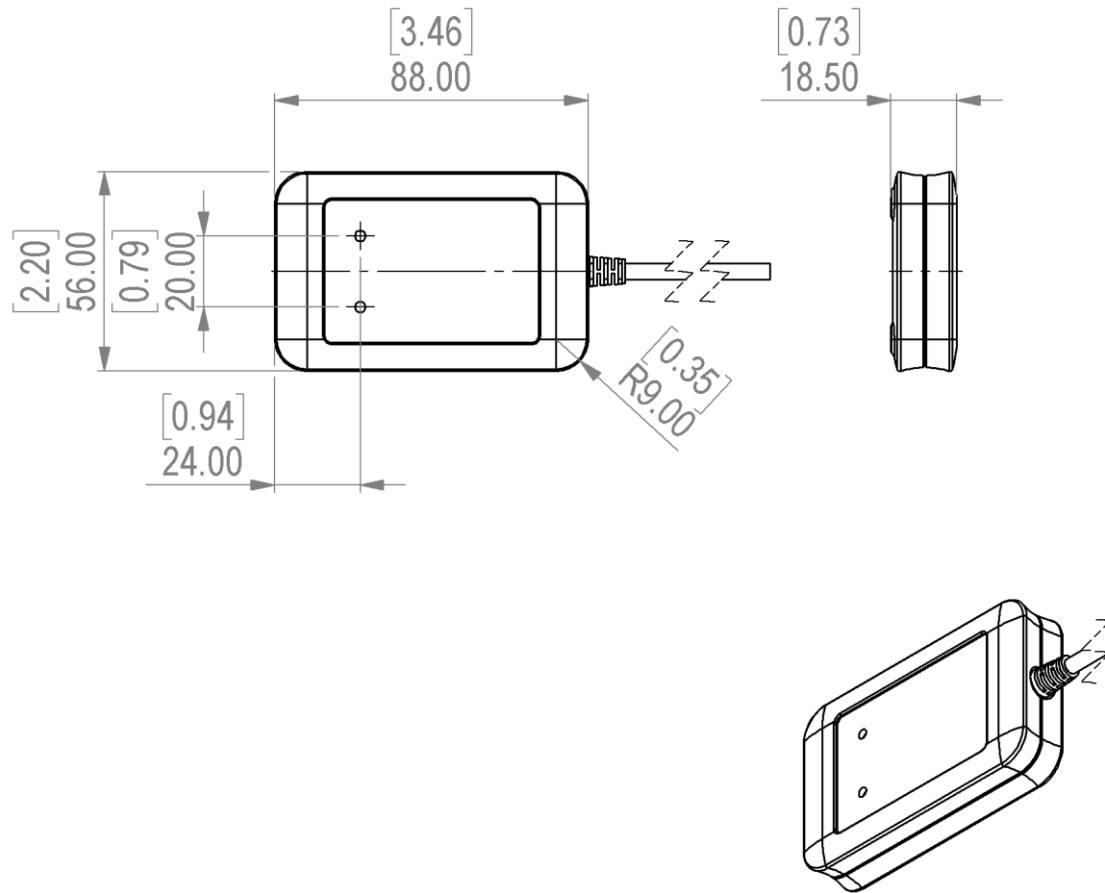
¹⁾On request

²⁾The product has been certified for use in many countries and regions. Contact your Sales representative for detailed information about all certifications and approvals granted to the product.

ACCESSORIES

| | | |
|---------|--------|-----------------------|
| HOLDERS | HKSI-B | Snap-in holder, black |
| | HKSI-W | Snap-in holder, white |
| | HKBR-B | Bracket holder, black |
| | HKBR-W | Bracket holder, white |

TECHNICAL DRAWINGS



All measures in mm [inch]

EMEA

ELATEC GmbH
Puchheim, Germany
+ 49 89 552 9961 0
sales-rfid@elatec.com

AMERICAS

ELATEC Inc.
Palm City, Florida, USA
+ 1 772 210 2263
americas-info@elatec.com

MIDDLE EAST

ELATEC Middle East Trading
FZE, Dubai, UAE
+ 971 50 932 2691
middle-east-info@elatec.com

ASIA PACIFIC

ELATEC Singapore
Shaw Centre, Singapore
+ 65 96704348
apac-info@elatec.com

elatec.com

ELATEC reserves the right to change any information or data in this document without prior notice. ELATEC declines all responsibility for the use of this product with any other specification but the one mentioned above. Any additional requirement for a specific customer application has to be validated by the customer themselves at their own responsibility. Where application information is given, it is only advisory and does not form part of the specification. Disclaimer: All names used in this document are registered trademarks of their respective owners.