

# TWN4 MultiTech 2 HF

## Single-frequency HF RFID reader with NFC support



TWN4 MultiTech 2 HF  
(exemplary illustration)

The TWN4 MultiTech 2 family of contactless RFID readers and modules allows users to read and write to almost any LF and HF tags and labels. All products support NFC and, optionally, Bluetooth Low Energy (BLE). In addition, they are also compatible with the two most commonly used smartphone operating systems, Android and iOS, which gives the option to integrate them in mobile identification applications. The desktop readers are available as Plug & Play devices that can be easily customized (i.e. inlay design), whereas the PCB modules offer a large amount of interfaces and a perfect form factor for an easy and quick integration in any host device. This broad range of product features makes the TWN4 MultiTech 2 family an excellent solution for almost every project.

Key features of the TWN4 MultiTech 2 HF desktop reader include a powerful SDK for writing apps that are executed directly on the reader, the possibility to upgrade the firmware in the field, and transparent data exchange with the RFID media. Additionally, the reader can read a lot of HF RFID technologies from the 13.56 MHz frequency band, including NFC. This gives the option to select as many of the technologies required instead of being forced to select just a few ones.

### Special features:

- + Possibility to read many HF RFID technologies
- + Cost-optimized reader solution
- + Powerful SDK for writing apps which are executed directly on the reader
- + Firmware update in the field possible
- + On-board 18 kB flash storage, e.g. for storing user accessible non-volatile data
- + Supports transparent data exchange with RFID media
- + CCID and PC/SC 2.01
- + Customizable inlay design



Elevator



EV Chargers



Access



Shop POS



Fitness  
Equipment



Ticket POS



PC Log-on



Document  
Management



Driver ID



Vending



Parking



Gaming



Locker Locks



Time  
Attendance



Industrial  
PC

## TECHNICAL DATA

FREQUENCY	13.56 MHz (HF)																								
ANTENNA	Integrated																								
HOUSING	Material: ABS UL94-V0 Color: black or white																								
DIMENSIONS (L X W X H)	Approx. 88.00 x 56.00 x 18.50 mm / 3.46 x 2.20 x 0.73 inch																								
POWER	USB: 4.3 V - 5.5 V RS-232: requires 5 V external power supply ES1/PS2 classified power source according to IEC 62368-1, short-circuit current < 8 A																								
CURRENT CONSUMPTION	RF field on: 200 mA typically																								
TEMPERATURE RANGE	Operating: -25 °C up to +70 °C (-13 °F up to +158 °F) Storage: -40 °C up to +75 °C (-40 °F up to +167 °F)																								
RELATIVE HUMIDITY	5% to 95% non-condensing																								
READ/WRITE DISTANCE	Up to 100 mm / 4 inch, depending on environment and transponder																								
OPERATING MODES (USB)	USB keyboard emulation – USB virtual COM port – CCID / PC/SC 2.01																								
MTBF	500,000 hours																								
WEIGHT	Approx. 115 g / 4.06 oz (with cable)																								
SUPPORTED OPTIONS AND TRANSPONDERS	Depending on the firmware version and installed options, ELATEC readers and modules can support a wide range of RFID technologies. Please refer to the relevant ELATEC transponder matrix (available at <a href="http://www.elatec-rfid.com/int/transponder-technology">www.elatec-rfid.com/int/transponder-technology</a> ) for more information about the available options and RFID technologies supported by the product.																								
OS SUPPORT	Windows 7 (32-/64-bit) and higher versions, Linux, Android <sup>1)</sup> , iOS <sup>1)</sup> , MAC OS X <sup>1)</sup>																								
PERIPHERAL INTERFACES	USB, RS-232, 1 SAM slot for ID-000 card format																								
TRANSMISSION SPEED	Host: USB full speed (12 Mbit/s), RS-232: up to 115,200 baud, HF Air: up to 848 kbit/s																								
CERTIFICATION NAME	TWN4 MultiTech 2 HF																								
CERTIFICATIONS	Non-exhaustive list <sup>2)</sup> : CE/RED, FCC, IC, TAA compliant, REACH and RoHS-III compliant																								
ORDER CODES	<table border="0"> <tr> <td>T4BT-FB2BEL2</td> <td>Standard reader, USB-A cable, black housing</td> </tr> <tr> <td>T4BT-FB2WEL2</td> <td>Standard reader, USB-A cable, white housing</td> </tr> <tr> <td>T4BT-FC2BEL2</td> <td>Standard reader, USB-C cable, black housing</td> </tr> <tr> <td>T4BT-FC2WEL2</td> <td>Standard reader, USB-C cable, white housing</td> </tr> <tr> <td>T4BT-FR2BEL2</td> <td>Standard reader, RS-232 cable, black housing</td> </tr> <tr> <td>T4BT-FR2WEL2</td> <td>Standard reader, RS-232 cable, white housing</td> </tr> <tr> <td>T4BT-FB2BEL2-I</td> <td>Reader with I option, USB-A cable, black housing</td> </tr> <tr> <td>T4BT-FB2WEL2-I</td> <td>Reader with I option, USB-A cable, white housing</td> </tr> <tr> <td>T4BT-FC2BEL2-I</td> <td>Reader with I option, USB-C cable, black housing</td> </tr> <tr> <td>T4BT-FC2WEL2-I</td> <td>Reader with I option, USB-C cable, white housing</td> </tr> <tr> <td>T4BT-FR2BEL2-I</td> <td>Reader with I option, RS-232 cable, black housing</td> </tr> <tr> <td>T4BT-FR2WEL2-I</td> <td>Reader with I option, RS-232 cable, white housing</td> </tr> </table> <p>The order codes above describe RFID readers equipped with a two-meter-long cable. Contact ELATEC for other cable lengths.</p>	T4BT-FB2BEL2	Standard reader, USB-A cable, black housing	T4BT-FB2WEL2	Standard reader, USB-A cable, white housing	T4BT-FC2BEL2	Standard reader, USB-C cable, black housing	T4BT-FC2WEL2	Standard reader, USB-C cable, white housing	T4BT-FR2BEL2	Standard reader, RS-232 cable, black housing	T4BT-FR2WEL2	Standard reader, RS-232 cable, white housing	T4BT-FB2BEL2-I	Reader with I option, USB-A cable, black housing	T4BT-FB2WEL2-I	Reader with I option, USB-A cable, white housing	T4BT-FC2BEL2-I	Reader with I option, USB-C cable, black housing	T4BT-FC2WEL2-I	Reader with I option, USB-C cable, white housing	T4BT-FR2BEL2-I	Reader with I option, RS-232 cable, black housing	T4BT-FR2WEL2-I	Reader with I option, RS-232 cable, white housing
T4BT-FB2BEL2	Standard reader, USB-A cable, black housing																								
T4BT-FB2WEL2	Standard reader, USB-A cable, white housing																								
T4BT-FC2BEL2	Standard reader, USB-C cable, black housing																								
T4BT-FC2WEL2	Standard reader, USB-C cable, white housing																								
T4BT-FR2BEL2	Standard reader, RS-232 cable, black housing																								
T4BT-FR2WEL2	Standard reader, RS-232 cable, white housing																								
T4BT-FB2BEL2-I	Reader with I option, USB-A cable, black housing																								
T4BT-FB2WEL2-I	Reader with I option, USB-A cable, white housing																								
T4BT-FC2BEL2-I	Reader with I option, USB-C cable, black housing																								
T4BT-FC2WEL2-I	Reader with I option, USB-C cable, white housing																								
T4BT-FR2BEL2-I	Reader with I option, RS-232 cable, black housing																								
T4BT-FR2WEL2-I	Reader with I option, RS-232 cable, white housing																								

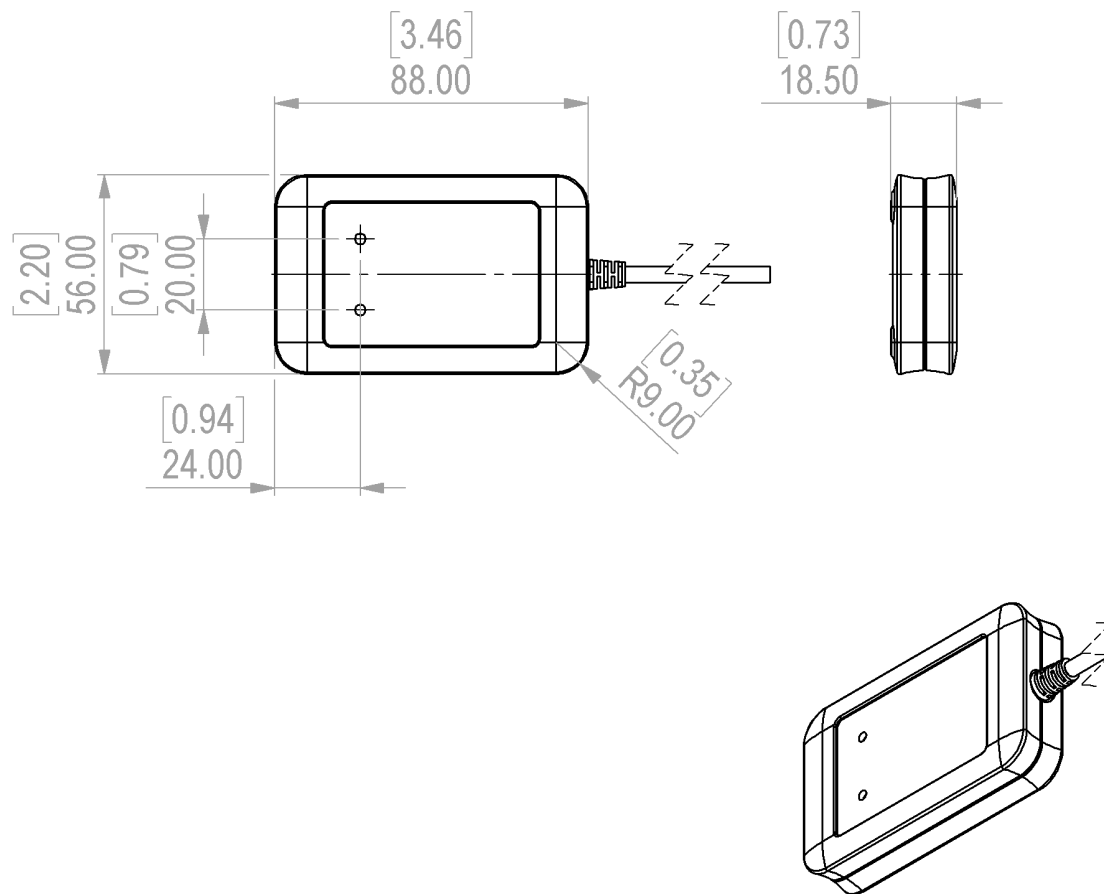
<sup>1)</sup>On request

<sup>2)</sup>The product has been certified for use in many countries and regions. Contact your Sales representative for detailed information about all certifications and approvals granted to the product.

## ACCESSORIES

HOLDERS	HKSI-B	Snap-in holder, black
	HKSI-W	Snap-in holder, white
	HKBR-B	Bracket holder, black
	HKBR-W	Bracket holder, white
POWER SUPPLIES	ELATEC RFID readers and modules can be delivered with additional cables or external power supplies. Refer to the data sheet <i>Cables for ELATEC devices</i> for detailed information.	

## TECHNICAL DRAWINGS



All measures in mm [inch]

### HQ / EUROPE

ELATEC GmbH  
 Zeppelinstraße 1  
 82178 Puchheim, Germany  
 P +49 89 552 9961 0  
 F +49 89 552 9961 129  
 info-rfid@elatec.com

### AMERICAS

ELATEC Inc.  
 1995 SW Martin Hwy.  
 Palm City, FL 34990, USA  
 P +1 772 210 2263  
 F +1 772 382 3749  
 americas-info@elatec.com

### APAC

ELATEC Singapore  
 1 Scotts Road #21-10 Shaw  
 Centre, Singapore 228208  
 P +65 9670 4348  
 apac-info@elatec.com

### MIDDLE EAST

ELATEC Middle East  
 Trading FZE  
 P.O. Box 16868, Dubai, UAE  
 P +971 50 9322691  
 middle-east-info@elatec.com

[elatec.com](http://elatec.com)

ELATEC reserves the right to change any information or data in this document without prior notice. ELATEC declines all responsibility for the use of this product with any other specification but the one mentioned above. Any additional requirement for a specific customer application has to be validated by the customer themselves at their own responsibility. Where application information is given, it is only advisory and does not form part of the specification. Disclaimer: All names used in this document are registered trademarks of their respective owners.