



**2025**  
PRODUCT CATALOGUE



# KEEP IT SIMPLE FEEL SECURE



**WAFERLOCK** is a leading brand of smart lock in Taiwan.

With our expertise in RFID technology for over 30 years, we have the ability to design and manufacture smart locks and provide ideal products and solutions for security and access control. Our product is highly penetrated broad range of industries and applications such as commercial, residential and hospitality field. Our own brand "WAFERLOCK" is marketed in Europe, US, Japan, Southeast Asia and Taiwan.

We are dedicated to improve how people live and work by leading technologies while remain simple and secure.

## Vision

To become one of the innovative security technology leading companies, WAFERLOCK engaged in brand, design, manufacturing, and marketing management of security, access control and hospitality, with products, solutions, and services. Our success is dependent upon our value of continued innovation of the new technology, offering greater value to our customers, making commitment to the employees, and providing the shareholders with satisfaction.

## High Quality

A building comes from a based stone, and the based stone of WAFERLOCK is quality. In order to keep high quality of the products, we are certified by AFAQ (AFNOR Group) on ISO9001. Moreover, an in-house laboratory with international standard equipment is set at the Headquarters to make sure the products meet the design and provide stable performance.

Quality improvement is everyone's responsibility and goal at WAFERLOCK.

## Focus on Service

The key to success is customers' satisfaction. We do not only train our service team but also require our local partners to have qualified abilities to serve customers. The investment of providing excellent service has never been stopped because we believe here comes the reputation.

# INDEX

## EURO CYLINDERS & LOCKS

C700S IP67 Electronic Cylinder	01
C700M IP67 Electronic Half Cylinder	01
C700N IP67 Electronic Double Cylinder	01
C400 IP67 Nordic Profile Electronic Cylinder	02
C500 IP68 Swiss Profile Smart Cylinder	02
C760 / C761 IP68 Smart Cylinder	03
L700 / L701 IP68 Smart Handle Lock	04
L730 Smart Handle Lock	05

## ANSI LOCKS

L310 Smart Cylindrical Lock	06
L345 / L346 Smart Mortise Lock	07
L396 Smart Mortise Lock	08
L600 Smart Mortise Lock	09
Z300 ANSI Grade 1 Mortise Lockcase	10
D250 IP68 Smart Deadbolt Lock	11

## SERVER CABINET LOCK

X100 IP68 Smart Server Cabinet Lock	12
-------------------------------------	----

## PADLOCK

C200 IP67 Electronic Padlock	13
C210 IP68 Smart Padlock	13
H101 IP68 Smart Padlock	14

## ACCESS CONTROL DEVICE

R710 Facial Recognition Wall Reader	15
E431 Multifunction Door Station	15
R110 Wall Reader	16
R120 Vandal Proof Wall Reader	16
R210 Compact Controller	17
R221 Controller	17
R630 LiveAM Wall Reader / Controller	18
P700 / P710 Programmer	18
P720 LiveAM Programmer	18
R320 Energy Saver	19
R400 Gateway	19

## SYSTEM

WAFERKEY	20
SBA	21
HPMS	22
LiveAM	23
Integration	24



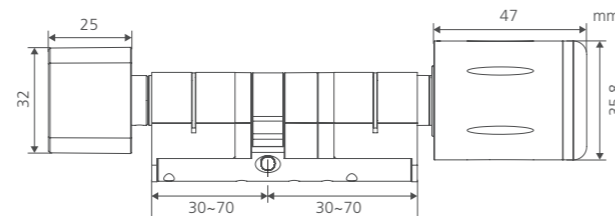
IP67 Electronic Cylinder

C700S 

SPECIFICATIONS

- Cylinder Length: 30/30mm to 70/70mm
- Modular Design
- Stainless Steel Bar for Anti-Twisting
- Anti-Drilling Protection
- Wireless Technologies: Mifare, NFC(Android)
- Battery: CR2 x 1 pcs
- Battery Life: Up to 3 Years (10 openings a day, service at 20°C)
- Operation Temperature: -20°C ~ 60°C
- Smart Sleep Mode
- Acoustic Low Power Warning
- CE Certificate / EN15684
- Fire Test 30 min.
- IP67

APPLICATION	
SBA	C700S/E02
HPMS	C700S/H00
Standalone	C700S/S04



IP67 Electronic Half Cylinder / IP67 Electronic Double Cylinder

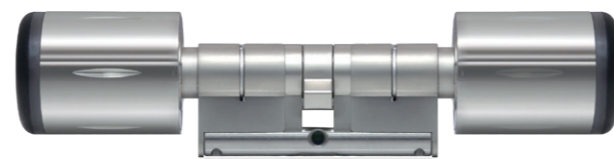
C700M / C700N 

SPECIFICATIONS

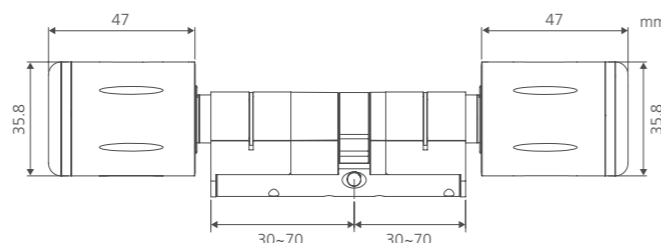
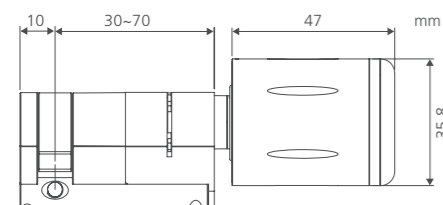
- Cylinder Length: 30/10 to 70/10mm (C700M) & 30/30 to 70/70mm (C700N)
- Modular Design
- Stainless Steel Bar for Anti-Twisting
- Anti-Drilling Protection
- Wireless Technologies: Mifare, NFC(Android)
- Battery: CR2 x 1 pcs
- Battery Life: Up to 3 Years (10 openings a day, service at 20°C)
- Operation Temperature: -20°C ~ 60°C
- Smart Sleep Mode
- Acoustic Low Power Warning
- CE Certificate / EN15684
- Fire Test 30 min.
- IP67



C700M / Smart Half Cylinder



C700N / Smart Double Cylinder



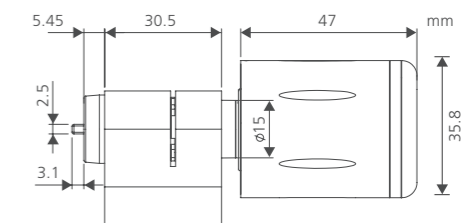
IP67 Nordic Profile Electronic Cylinder

C400 

SPECIFICATIONS

- Anti-Drilling Protection
- Wireless Technologies: Mifare, NFC(Android)
- Battery: CR2 x 1 pcs
- Battery Life: Up to 3 Years (10 openings a day, service at 20°C)
- Operation Temperature: -20°C ~ 60°C
- Smart Sleep Mode
- Acoustic Low Power Warning
- Designed to comply with EN 15684
- Fire Test 30 min.
- IP67

APPLICATION	
SBA	C400/E02
HPMS	C400/H00
Standalone	C400/S04



IP68 Swiss Profile Smart Cylinder

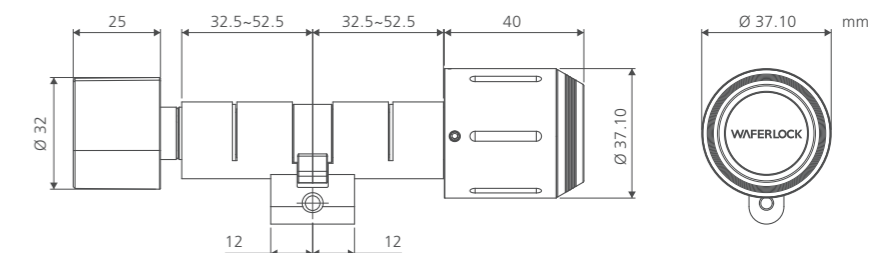
C500  

SPECIFICATIONS

- Anti-Drilling Protection
- Wireless Technologies: Mifare, Bluetooth, NFC(Android)
- Battery: CR2 x 1 pcs
- Battery Life: Up to 2 Years (10 openings a day, service at 20°C)
- Operation Temperature: -20°C ~ 60°C
- Smart Sleep Mode
- Acoustic Low Power Warning
- Designed to comply with EN 15684
- Fire Test 60 min.
- IP68



APPLICATION	
LiveAM	C500/E03
WAFERKEY	C500/B05



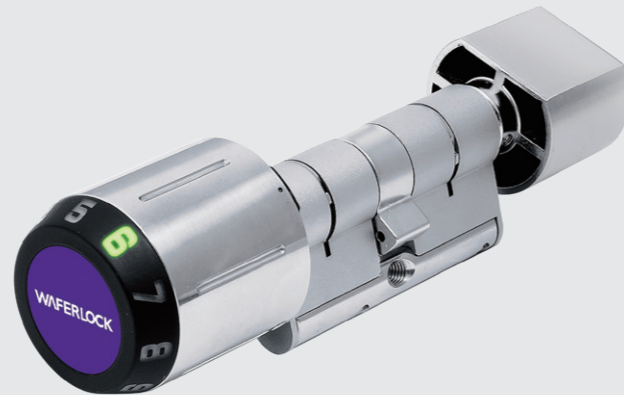
## IP68 Smart Cylinder

C760    / C761  

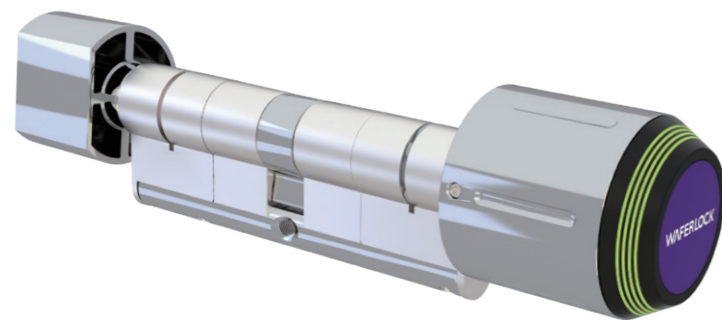
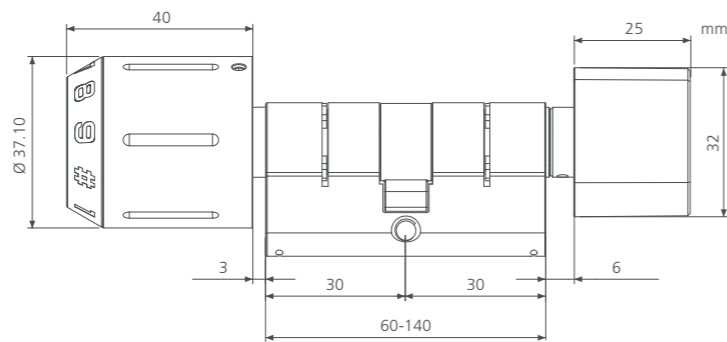
### SPECIFICATIONS

- Cylinder Length: 30/30mm to 70/70mm
- Modular Design
- Stainless Steel Bar for Anti-Twisting
- Anti-Drilling Protection
- Wireless Technologies: Mifare, Bluetooth, NFC(Android)
- Battery: CR2 x 1 pcs
- Battery Life: Up to 2 Years (10 openings a day, service at 20°C)
- Operation Temperature: -20°C ~ 60°C
- Smart Sleep Mode
- Acoustic Low Power Warning
- CE Certificate / EN15684
- Fire Test 60 min.
- IP68

APPLICATION		
LiveAM	C760/E03	C761/E03
WAFERKEY	C760/B05	C761/B05



C760



C761

## IP68 Smart Handle Lock

L700    / L701    

### SPECIFICATIONS

- Axis Distance: 70mm, 72mm, 85mm, 92mm
- Door Thickness: 35mm ~ 120mm
- Wireless Technologies: Mifare, Bluetooth, NFC(Android)
- Battery Life: Up to 1.5 Years (10 openings a day, service at 20°C)
- Battery: CR2 x 1 pcs
- Operation Temperature: -20°C ~ 60°C
- Smart Sleep Mode
- Acoustic Low Power Warning
- CE Certificate / EN16867
- Option: Mechanical Cylinder Hole on Escutcheon for Override
- Fire Test 60 min.
- IP68
- Available color: Black, White

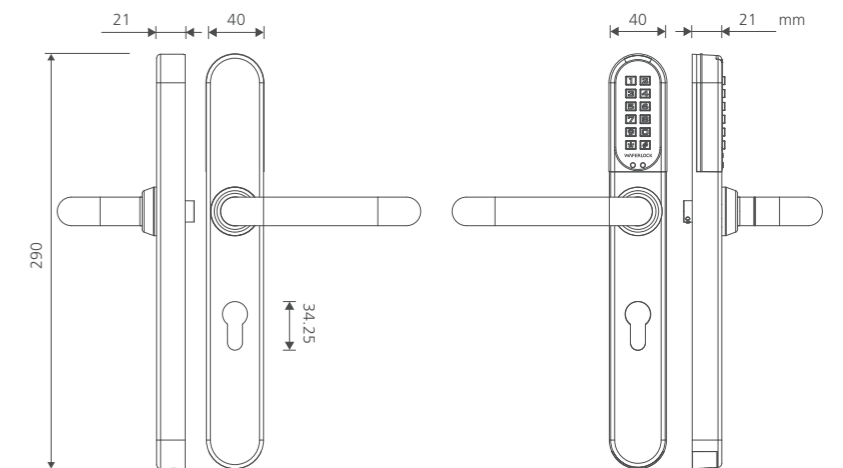
APPLICATION	
SBA	L700/E02
LiveAM	L700/E03 L701/E03
HPMS	L700/H00
WAFERKEY	L700/B05 L701/B05



L700



L701



\* The distance between two fixing poles is 230.5mm

## Smart Handle Lock

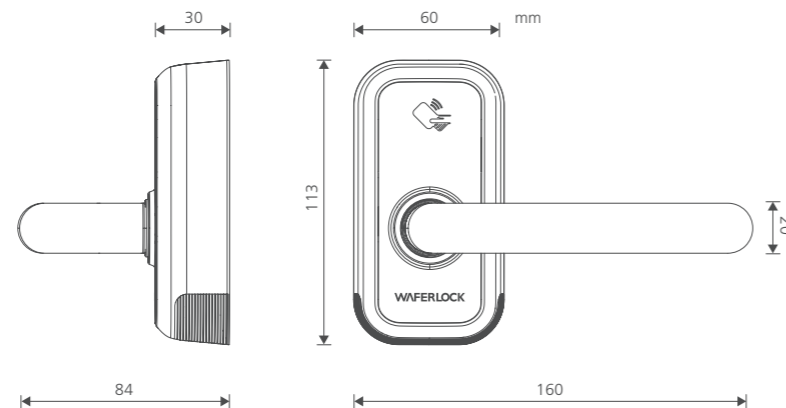
# L730



### SPECIFICATIONS

- Door Thickness: 35mm ~ 100mm
- Wireless Technologies: Mifare, Bluetooth, NFC(Android)
- Battery Life: Up to 1.5 Years (10 openings a day, service at 20°C)
- Battery: CR2 x 1 pcs
- Operation Temperature: -20°C ~ 60°C
- Smart Sleep Mode
- Acoustic Low Power Warning
- CE Certificate

APPLICATION	
WAFERKEY	L730/B05
SBA	L730/E02



## ANSI LOCKS

## Smart Cylindrical Lock

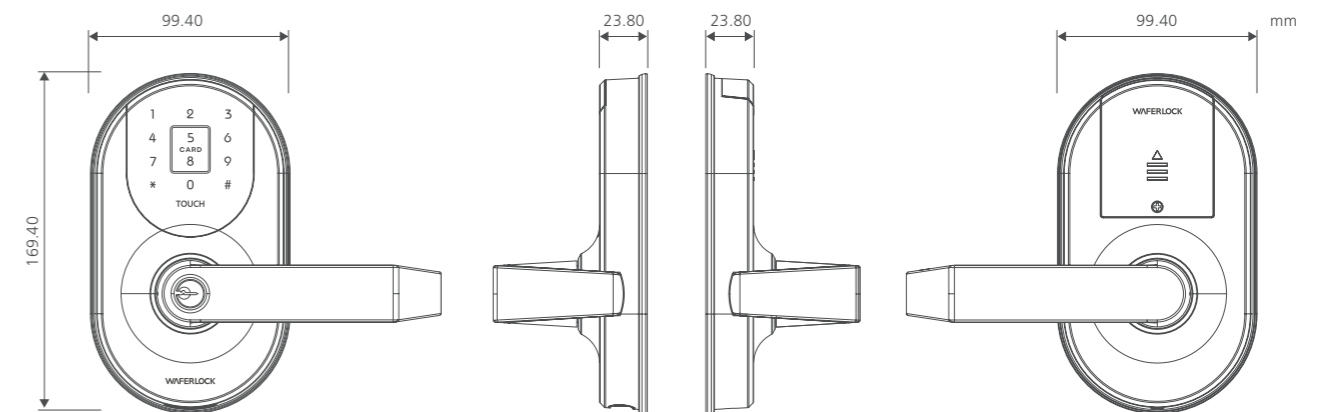
# L310



### SPECIFICATIONS

- ANSI Grade 1 Cylindrical Lock
- UL 3H Fire Tested
- User-Friendly Keypad Operation
- Door Thickness: 35mm~50mm
- Wireless Technologies: Mifare, Bluetooth (option), NFC(Android)
- Battery Life: Up to 1.5 Years (10 openings a day, service at 20°C)
- Battery: 1.5V AAA x 4pcs
- Operation Temperature: -20°C ~ 60°C
- Smart Sleep Mode
- Acoustic Low Power Warning
- Support 9V External Power Supply

APPLICATION	
LiveAM	L310/E03
WAFERKEY	L310/B05
Standalone	L310/B00



## Smart Mortise Lock

L345   / L346    

### SPECIFICATIONS

- Mortise Lockcase: US ANSI Grade 1, UL 3H Fire Tested
- Anti-panic with Mortise Lock
- Door Thickness: 40mm~80mm
- Wireless Technologies: Mifare, Bluetooth (option), NFC(Android)
- Battery Life: Up to 1.5 Years (10 Openings a Day, Service at 20°C)
- Battery: CR2 x 1pcs
- Operation Temperature: -20°C ~ 60°C
- Smart Sleep Mode
- Acoustic Low Power Warning
- Support 9V External Power Supply
- KABA Mechanical Key

APPLICATION	
LiveAM	L345/E03 L346/E03
HPMS	L345/H00
WAFERKEY	L346/B05



## Smart Mortise Lock

L396     

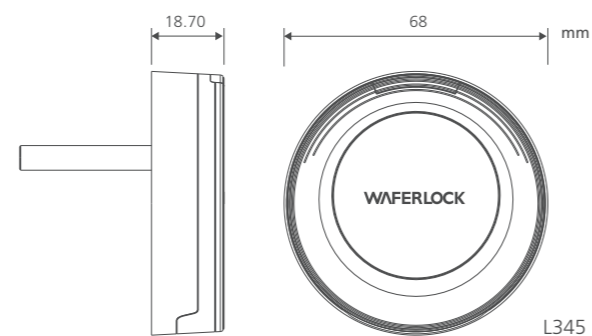
### SPECIFICATIONS

- Mortise Lockcase: US ANSI Grade 1, UL 3H Fire Tested
- Anti-panic with Mortise Lock
- Fingerprint Recognition: 50 Max
- User: 2,000 Max (Card + Passcode)
- Door Thickness: 40mm~100mm
- Wireless Technologies: Mifare, Bluetooth (option), NFC(Android)
- Battery Life: Up to 1.5 Years (10 openings a day, service at 20°C)
- Battery: CR123A x 2pcs
- Operation Temperature: -20°C ~ 60°C
- Smart Sleep Mode
- Acoustic Low Power Warning
- Support 9V External Power Supply
- KABA Mechanical Key

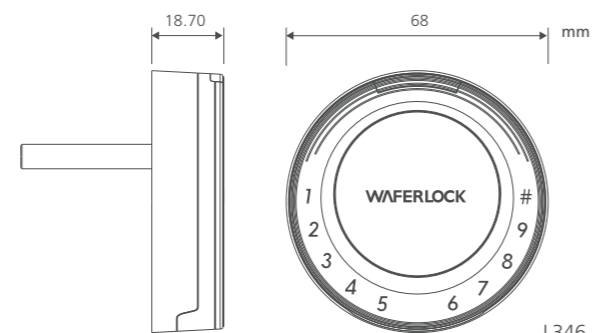
APPLICATION	
WAFERKEY	L396/B05



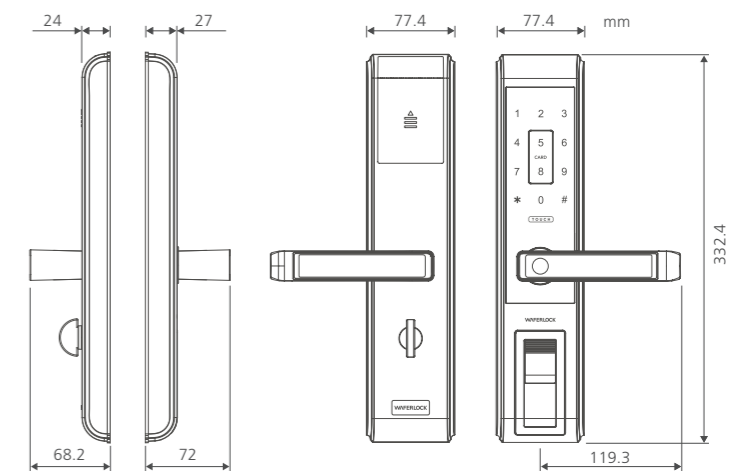
L346



L345



L346



## Smart Mortise Lock

# L600

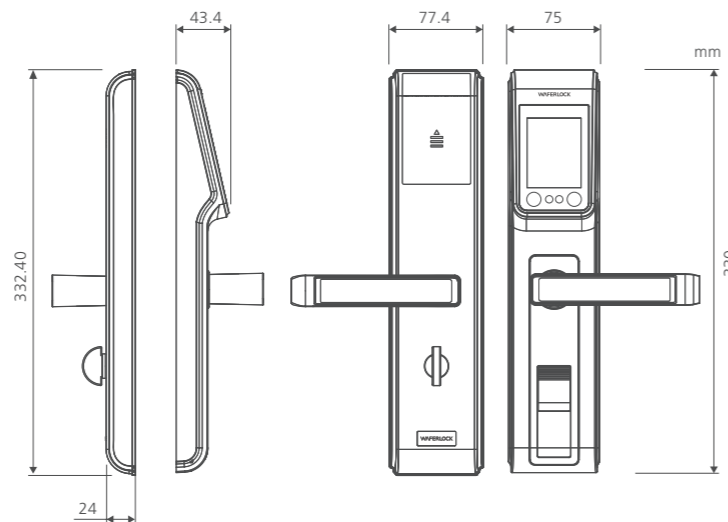


### SPECIFICATIONS

- Mortise Lockcase: US ANSI Grade 1, UL 3H Fire Tested
- Anti-panic with Mortise Lock
- Facial Recognition: 50 Max
- User: 2,000 Max (Card + Passcode)
- Door Thickness: 40mm~100mm
- Wireless Technologies: Mifare, Bluetooth (option), NFC(Android)
- Battery Life: Up to 1 Year (10 openings a day, service at 20°C)
- Battery: CR123A x 2pcs
- Operation Temperature: -20°C ~ 60°C
- Smart Sleep Mode
- Acoustic Low Power Warning
- Support 9V External Power Supply
- KABA Mechanical Key

### APPLICATION

WAFERKEY	L600/B05
----------	----------

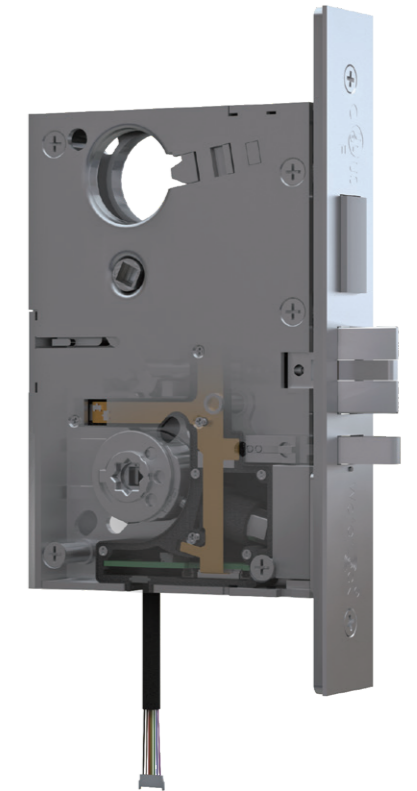


## ANSI Grade 1 Mortise Lockcase

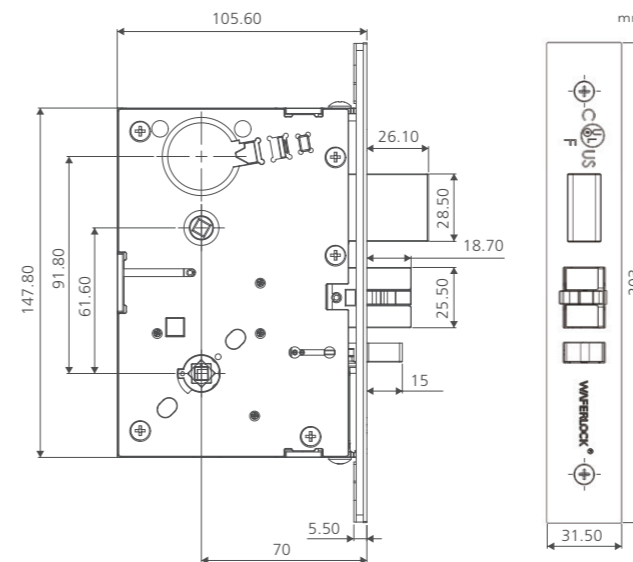
# Z300

### SPECIFICATIONS

- US ANSI Grade 1 Mortise Lockcase
- UL 3H Fire Tested
- Door Thickness: 40mm ~ 100mm
- Anti-Panic Safety Function
- Equipped with Deadbolt, Anti-Pick, Latch, and Key Sensors
- Latch: Stainless Steel, 2 Piece Mechanical with Anti-Friction Insert; 19mm Throw
- Deadbolt: One-Piece Stainless Steel, 25mm Throw
- Made in Taiwan



Patent ID: 10890019(USA) 、 10907381(USA) 2664736(EU)

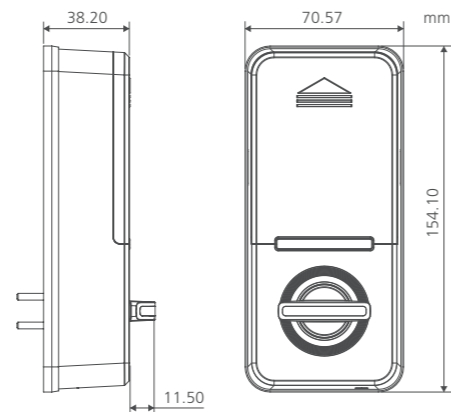
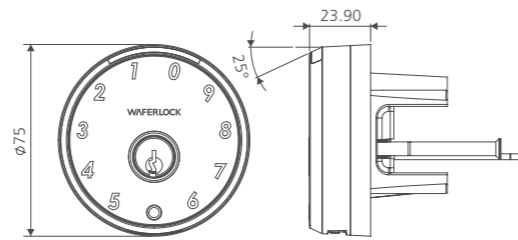


IP68 Smart Deadbolt Lock

D250 

**SPECIFICATIONS**

- ANSI Grade 1
- Offline Pin Code Generated
- One-Touch Locking
- Auto-Locking
- Door Thickness: 35mm~45mm
- Wireless Technologies: Mifare, Bluetooth
- Battery Life: Up to 1 Year (10 openings a day, service at 20°C)
- Battery: 1.5V AA x 4pcs
- Operation Temperature : -25°C ~ 65°C
- Acoustic Low Power Warning
- Support 9V External Power Supply
- IP68



SERVER CABINET LOCK

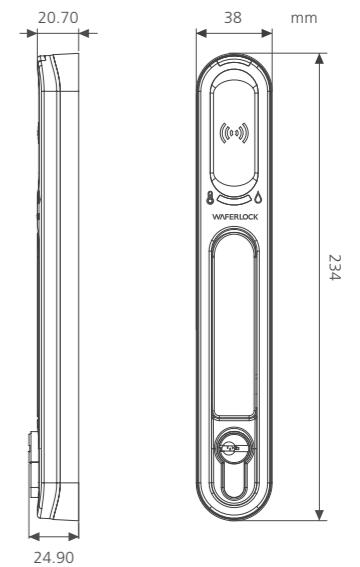
IP68 Smart Server Cabinet Lock

X100 



**SPECIFICATIONS**

- Unlocking Mode : Card 、 Mechanical Key 、 Internet Unlock 、 Waferkey App
- Communication : TCP/IP 、 RS485(option) 、 Bluetooth(option) 、 Mifare Classic 、 Desfire
- Temperature and Humidity Monitoring
- Door Status Detection
- Rated Voltage : DC 12V
- Automatic Switch to Backup Power Supply Design
- IP68
- Master Key Design
- Integrated with the LiveAM System
- Made in Taiwan



APPLICATION

LiveAM	X100/E03
--------	----------

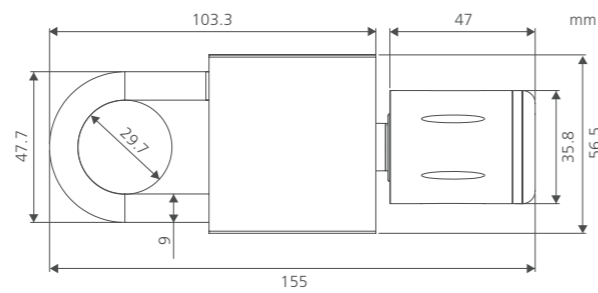
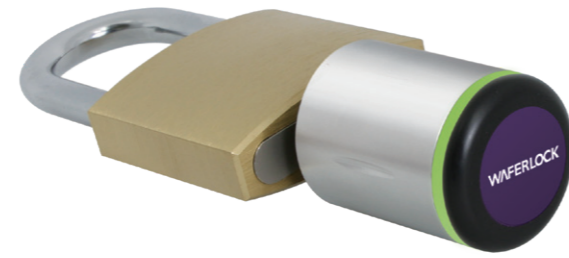
IP67 Electronic Padlock

C200 

SPECIFICATIONS

- Anti-Drilling Protection
- Wireless Technologies: Mifare, NFC(Android)
- Battery: CR2 x 1 pcs
- Battery Life: Up to 3 Years (10 openings a day, service at 20°C)
- Operation Temperature: -20°C ~ 60°C
- Smart Sleep Mode
- Acoustic Low Power Warning
- CE Certificate
- IP67

APPLICATION	
SBA	C200/E02
HPMS	C200/H00
Standalone	C200/S04



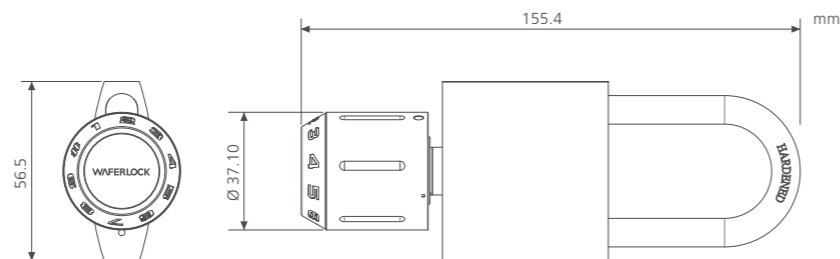
IP68 Smart Padlock

C210   

SPECIFICATIONS

- Anti-Drilling Protection
- Wireless Technologies: Mifare, Bluetooth, NFC(Android)
- Battery: CR2 x 1 pcs
- Battery Life: Up to 2 Years (10 openings a day, service at 20°C)
- Operation Temperature: -20°C ~ 60°C
- Smart Sleep Mode
- Acoustic Low Power Warning
- CE Certificate
- IP68

APPLICATION	
LiveAM	C210/E03
WAFFERKEY	C210/B05

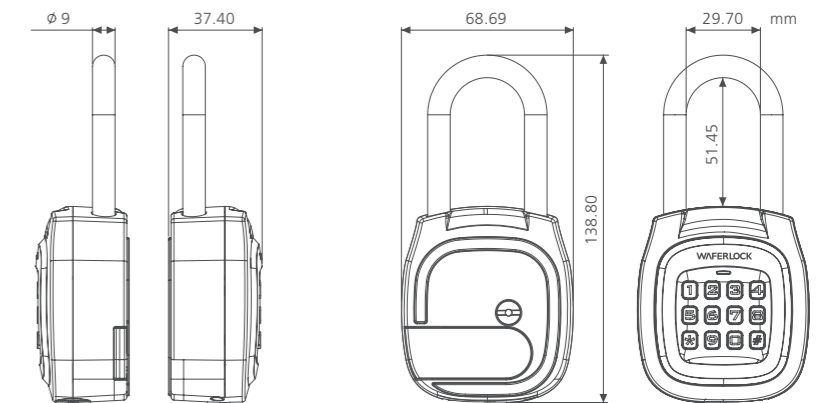
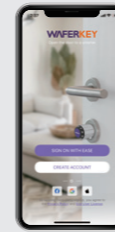


IP68 Smart Padlock

H101    

SPECIFICATIONS

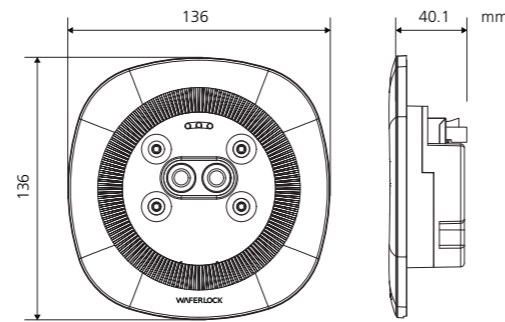
- Multiple Ways to Unlock: Passcode / Card / WAFFERKEY App
- Offline Pin Code Generated
- Security Lockout Mode
- Wireless Technologies: Mifare, Bluetooth, NFC(Android)
- IP68
- Achieves MIL-STD-810H
- Smart Sleep Mode
- Acoustic Low Power Warning
- Battery: CR2 x 1pcs
- Operation Temperature: -20°C - 65°C



## Facial Recognition Wall Reader R710

### SPECIFICATIONS

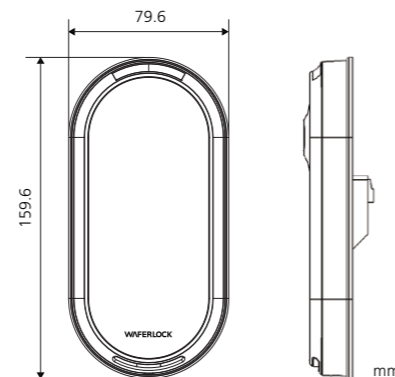
- Built-in RFID Card Reader
- Offline Matching
- Liveness Detection: Dual-eye anti-spoofing algorithm
- Face Tracking: Supports real-time face tracking to prevent duplicate captures
- Recognition Accuracy: 1:N accuracy of 99.8%
- Facial Database Capacity: Up to 10,000 faces
- Recognition Speed: ≤ 0.6s per recognition
- Applications: Access control, elevator control, attendance management, personnel control, visitor management
- Integrated with the LiveAM system
- Operating Voltage: 12VDC
- Maximum Power Consumption: 1.5A



## Multifunction Door Station E431

### SPECIFICATIONS

- TCP/IP standard network cable and connector (RJ-45)
- Supports SIP standard communication protocol
- Features color video transmission and two-way intercom function
- Built-in RFID card reader
- IP55
- Equipped with a white LED for illumination
- Integrated with the LiveAM system
- Camera resolution: 1280 x 720
- Operating voltage: 12VDC
- Maximum power consumption: 0.5A

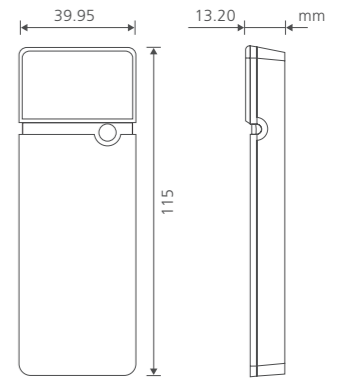


## Wall Reader R110

### SPECIFICATIONS

- Compact Design & Ease of Installation
- Surface Mount on the Wall
- Wireless Technologies: Mifare
- Power From Controller
- Operation Temperature: -20°C ~ 70°C
- 3 Meter Cable Connected to Controller (option: 10M cable)
- Communicate Through RS485 to Controller
- LED Indication Interface
- Acoustic Sound to Indicate Opening
- CE Certificate
- IP54

APPLICATION	
SBA	R110/E02
HPMS	R110/H00

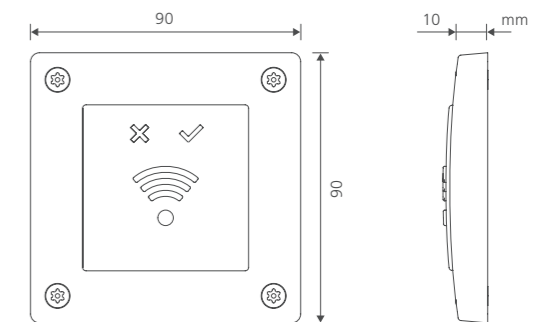


## IP67 Vandal Proof Wall Reader R120

### SPECIFICATIONS

- Compact Design and Ease of Installation
- Surface Mount on the Wall
- Metal Cover for Vandal Proof
- Wireless Technologies: Mifare
- Power from Controller
- Operation Temperature: -20°C ~ 70°C
- 3 Meter Cable Connected to Controller (Option: 10M Cable)
- Communicate through RS485 to Controller
- LED Indication Interface
- Acoustic Sound to Indicate Opening
- CE Certificate
- IP67

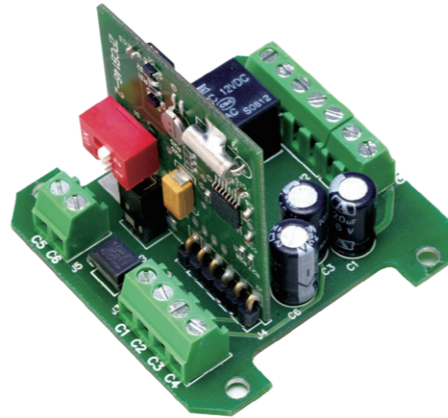
APPLICATION	
SBA	R120/E02



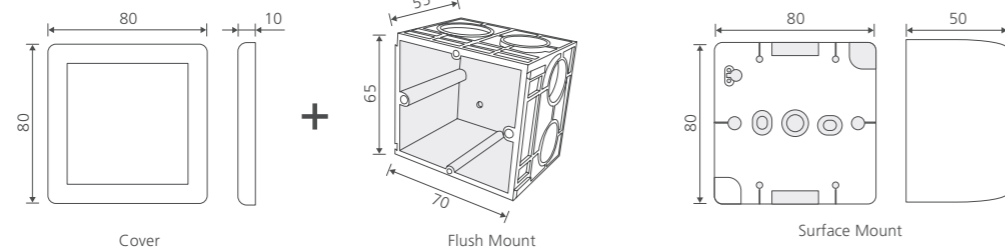
## Compact Controller R210

### SPECIFICATIONS

- Retrofit Standard European Wall Socket
- Flush Mount to the wall (Option: Surface Mount)
- Power: DC 12V, 1A
- Operation Temperature: -20°C ~ 70°C
- Wall Reader: 1
- Relay Output: 1
- Relay Output for Exit Button
- CE Certificate



APPLICATION	
HPMS	R210/H00



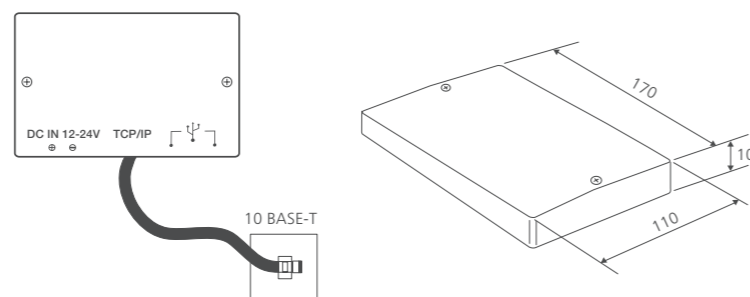
## Controller R221

### SPECIFICATIONS

- Surface Mount
- DC12V ~ 24V
- Operation Temperature: -20°C ~ 70°C
- 2 Wall Readers
- 5 Inputs
- 2 Relay Outputs (single door only)
- Firmware Upgradeable
- CE Certificate



APPLICATION	
SBA	R221/E02

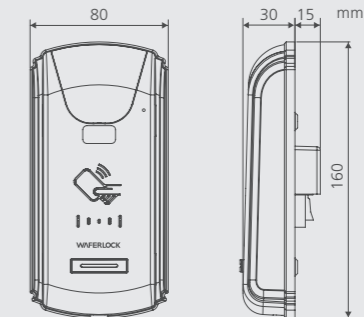


## LiveAM Wall Reader / Controller R630

### SPECIFICATIONS

- Compact Design and Ease of Installation
- Surface Mount on the Wall
- Wireless Technologies: Mifare
- Operation Temperature: -20°C ~ 70°C
- Power: DC12V, POE (Option)
- Protocol: TCP/IP, RS485
- Interface: 2 DI, 2D/O, RS485, RJ-45
- LED Indication Interface
- Acoustic Sound to Indicate Opening
- Support Elevator Control
- CE Certificate

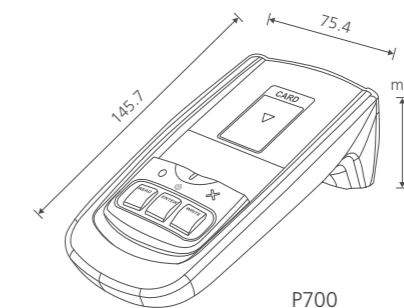
APPLICATION	
LiveAM	R630/E03



## Programmer P700 / P710

### SPECIFICATIONS

- USB 2.0 Interface
- Mifare Reader
- Real Time Clock
- Battery: 1.5V AAA x 3 pcs
- Operation Temperature: -10°C ~ 50°C
- LED Indication Interface
- CE Certificate



P700

APPLICATION	
HPMS	P700/H00



P710

APPLICATION	
SBA	P710/E02

## LiveAM Programmer P720

### SPECIFICATIONS

- Ethernet RJ-45 port
- Mifare Reader
- Real Time Clock
- Battery: 1.5V AAA x 3 pcs
- Power: USB 5V/POE
- Operation Temperature: -10°C ~ 50°C
- LED Indication Interface
- CE Certificate



APPLICATION	
LiveAM	P720/E03



## R320 Energy Saver

### SPECIFICATIONS

- Wireless Technologies: Mifare
- Power: DC 12V
- Interface: RS-485 (LiveAM)
- LED Indication Interface
- Operation Temperature: -20°C ~ 70°C
- CE Certificate

APPLICATION	
HPMS	R320/H00
LiveAM	R320/E03



## R400 Gateway

### SPECIFICATIONS

- LED status indicator
- Internet RJ45, 2.4Ghz Wi-Fi (WAFLERKEY ONLY)
- 2.4G RF
- Power Supply: AC 100-240V 50/60HZ
- Power Transformer: 12V DC, 1A
- Operation Temperature: -20°C ~ 50°C
- Size: 80 x 110.5 x 30.5 (mm)
- CE Certificate



APPLICATION	
LiveAM	R400/E03
WAFLERKEY	R400/B05

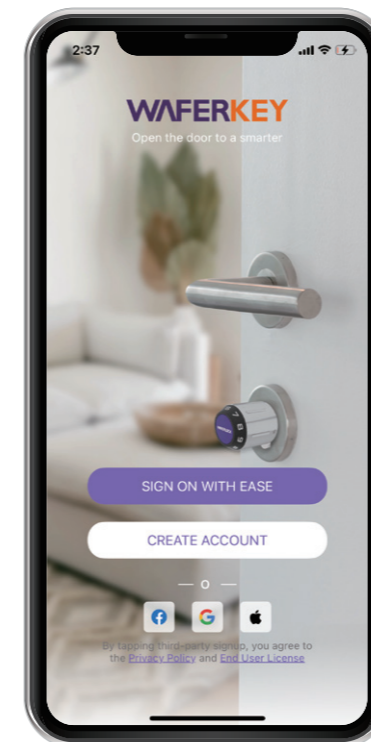


## SYSTEM

## WAFLERKEY

Seamless Access Management through Simplicity.

Adopted with the up-to-date Cloud encryption technology, WAFLERKEY delivers the most convenient, flexible and secure access control solutions for small-business offices, convention & conference hotels and self storage spaces. With easy access management method, simple setup steps and smart push notifications, WAFLERKEY offers you with complete controls over your property by cloud-based technology from anywhere and anytime. Therefore, Waferkey reduces operating costs with no more physical keys to purchase, locks replace and saves resources through more efficient access administration. Mobile devices must meet the following minimum system requirements: ios 13.6 or above, android 8.1 or above.



### FEATURE

- Provide smart, seamless and flexible access experience with the cutting-edge digital keys
- Improve workflows and processes across the business operation quickly and thus generate cost-saving efficiencies
- Extend, modify or revoke permissions quickly, remotely and easily as guests arrived or departed
- Provide details of data on events happened, assuring security for guests and staff on site
- Confine access control to time-based privileges or restrictions
- Easy-to-use setup steps via smartphones

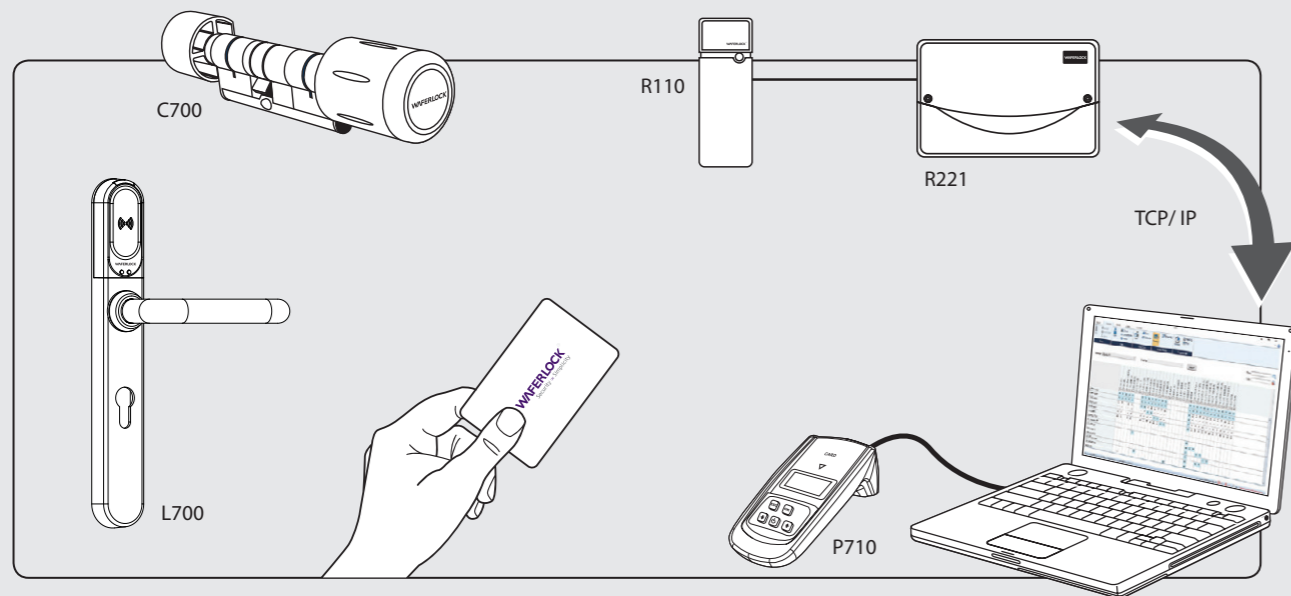
DEVICE	
C500/B05	IP68 Swiss Profile Smart Cylinder
C760/B05 C761/B05	IP68 Smart Cylinder
C210/B05	IP68 Smart Padlock
L700/B05 L701/B05	IP68 Smart Handle Lock
L730/B05	Smart Handle Lock
L310/B05	Smart Cylindrical Lock
L346/B05	Smart Mortise Lock
L396/B05	Smart Mortise Lock
L600/B05	Smart Mortise Lock
R400/B05	Gateway



WAFLERKEY is compatible with most smartphones equipped with Bluetooth 4.0 or higher and running iOS 13.6 / Android 8.1 or later versions. For more information about smart lock models which can be operated remotely, please contact with our sales team.

## SBA

Smart Building Access (SBA<sup>Access</sup>) is a complete, convenient electronic locking system. From small to large locking applications, SBA is capable of controlling and managing a maximum of 64,000 doors by 64,000 users. All SBA access rights are stored in user's transponder which can be updated anytime through any online hot-spot wall readers. The software is fully featured with lock settings, time schedule, user profile management, and issuing cards. The lost cards can be banned automatically after reissuing user cards. A clear record and monitoring page can help administrators supervise the whole system. It is very easy to operate yet with highest security. Moreover, application such as Time Attendance can be also integrated with SBA. With this multiple-function solution, WAFERLOCK provides you a totally different environment for controlling your access. It is bold, simple, and secure.



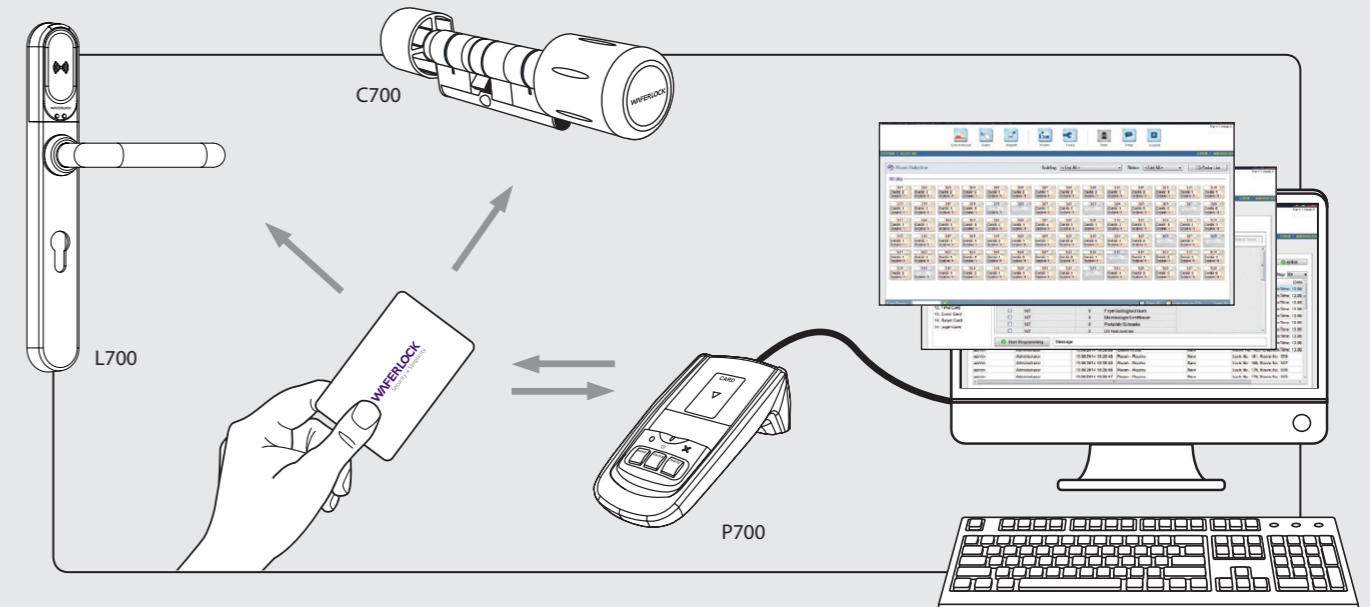
### FEATURE

- Virtual Networking System
- Setup by the Programmer, Updated by Transponders
- Max Door: 64,000
- Max User: 64,000
- Max Door Group: Depending on Card Memory
- Time Zone: Max. 128, 12 Intervals Each
- Calendar: 128 with Holiday Options
- Opening Mode: 1.Standard / 2.Office Mode / 3.Toggle / 4.Timed Toggle
- Daylight Saving Time
- Emergency Mode
- Audit Trail: 2,048 Event per Device
- Transponder: Mifare Desfire
- Users and Operator Report
- Low Power Warning List for Locks
- Database Backup, Export or Import
- User Account Authorization
- Black List on User Transponders

DEVICE	
C200/E02	IP67 Electronic Padlock
C400/E02	IP67 Nordic Profile Electronic Cylinder
C700/E02	IP67 Electronic Cylinder
L700/E02	IP68 Smart Handle Lock
L730/E02	Smart Handle Lock
R110/E02	Wall Reader
R120/E02	IP67 Vandal Proof Wall Reader
R221/E02	Online Controller
P710/E02	Programmer

## HPMS

Hotel Property Management System (HPMS), can issue different type cards for each purpose, which is specially designed for hotel access control. In order to manage a volume of hotel guests and hotel personnel, HPMS has distinguished and organized Hotel cards by its function such as guest cards, service cards, manager cards, set door no. cards, emergency cards, and so on. No matter you are hotel receptionist or technicians, you will be able to learn the operation of this handy system easily in short period of time. API Interface is also available for the PMS integration.



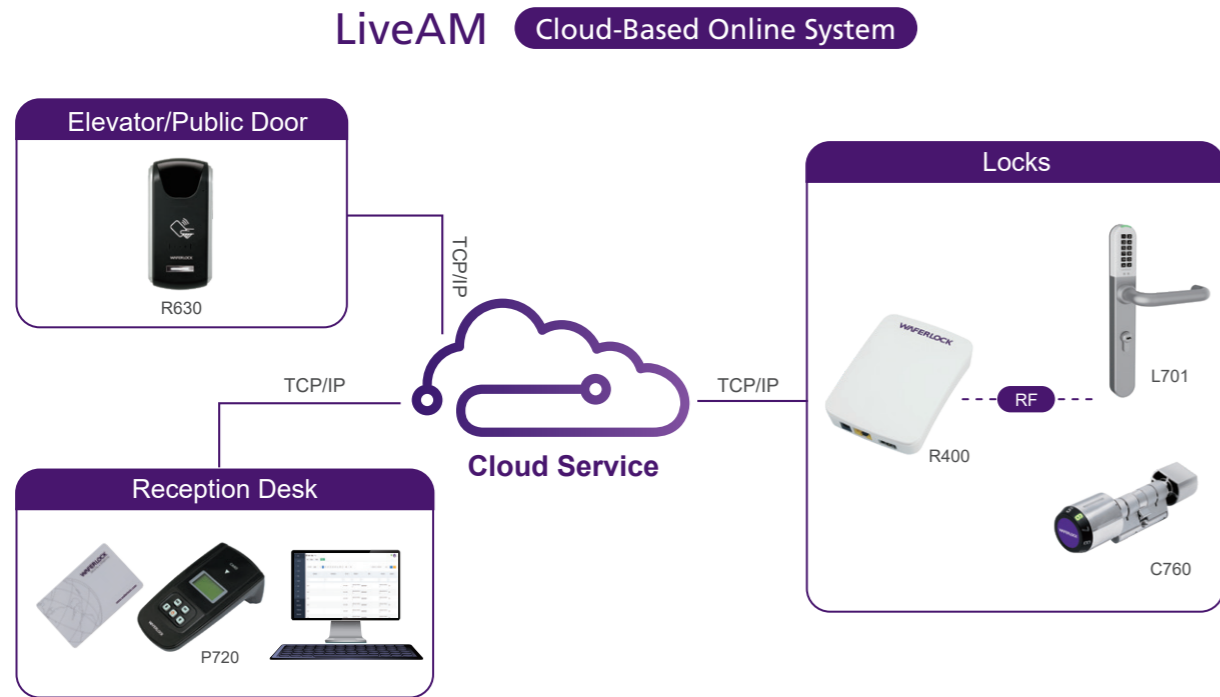
### FEATURE

- Offline System
- Max Door: 1,500
- Max User: 10,000 Employees (No Limit for Guest)
- Audit Trail: 504 Events per Device
- Transponder: Mifare Classic S50
- System Backup
- User Account Authorization
- Pre-Check in Schedule Available
- Office Hour Mode for Passage Door and Public Door
- Check In / Out Report
- Card Log Report
- API Available for PMS

DEVICE	
C200/H00	IP67 Electronic Padlock
C400/H00	IP67 Nordic Profile Electronic Cylinder
C700/H00	IP67 Electronic Cylinder
L700/H00	IP68 Smart Handle Lock
L345/H00	Smart Mortise Lock
R110/H00	Wall Reader
R210/H00	Online Controller
R320/H00	Energy Saver
P700/H00	Programmer

# LiveAM

Live Access Management (LiveAM) has web user interface (WUI) and cloud-based and mobile-enabled platform. The LiveAM offers users with a friendly and intuitive interface and simple commands. The system is comprehensive functionality to meet needs of all types and sizes of Hotels, Commercial Buildings, Banks, Hospitals, Industrial Parks and University Campuses. No matter you are hotel receptionist, office administrative or technicians, you will be able to learn the operation of this handy system easily in short period of time.



## FEATURE

- Cloud Based Online System
- Web User Interface
- Events and Reports for User Audit Trail
- Support Devices Control with App
- Transponder: Mifare
- Max Device: 64,000
- Max User: 64,000
- Max100 Door Timezone and 32 User Timezone
- Opening Mode: 1.Standard / 2.Office Mode / 3.Toggle / 4.Timed Toggle
- Database Export or Import
- User Account Authorization

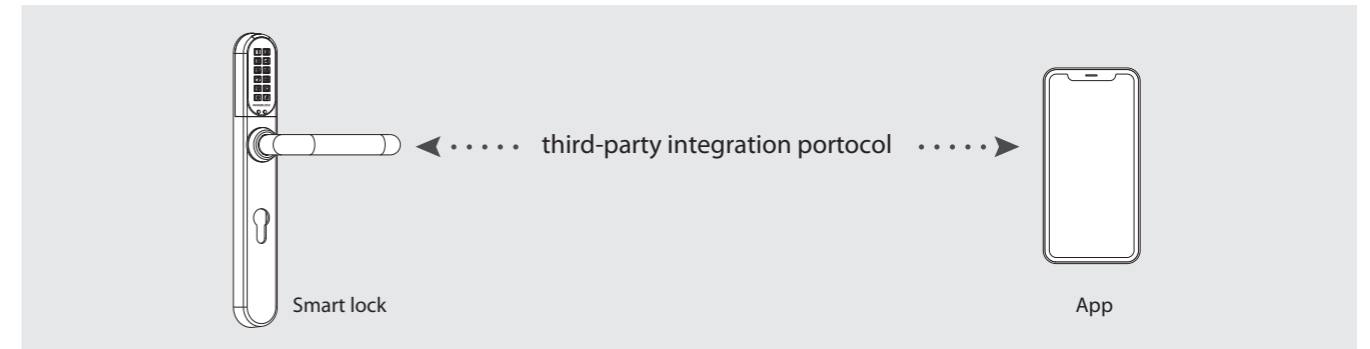
DEVICE	
C210/E03	IP68 Smart Padlock
C500/E03	IP68 Swiss Profile Smart Cylinder
C760/E03 C761/E03	IP68 Smart Cylinder
L700/E03 L701/E03	IP68 Smart Handle Lock
L310/E03	Smart Cylindrical Lock
L345/E03 L346/E03	Smart Mortise Lock
X100/E03	IP68 Smart Server Cabinet Lock
R630/E03	LiveAM Wall Reader
R400/E03	LiveAM Gateway
R320/E03	Energy Saver
P720/E03	LiveAM Programmer

# Integration

Waferlock provides various solutions for the integration. If your access control system or smart home system need electronic lock or electronic cylinder, you could integrate suitable Waferlock product via POE, Software API or other solutions. The solutions are ready and mature. We also welcome any creative idea for the integration solutions from the software, firmware to the hardware.

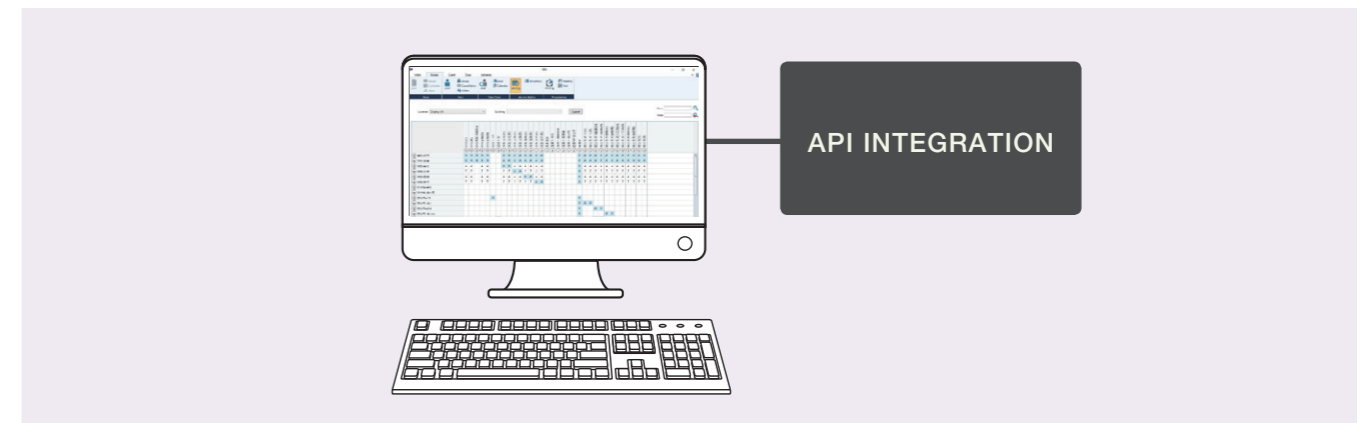
## THIRD-PARTY APP INTEGRATION WITH BLE SOLUTION

Third-party integration service enables seamless connectivity between your app and WAFERLOCK smart locks, making it easy to enhance your security solution with smart locks.



## API INTEGRATION

Our API Solution empowers you to seamlessly integrate your preferred User Interface with our systems. Operators interact exclusively with your software UI, while the API handles all communication between your software and our database in the background.



## ODM SOLUTION

It is possible to build the locks and cylinders for your system with RFID, NFC, or Bluetooth technologies. Any integration solution is open to discuss from the hardware to the electronics, and the integration could be implemented to different kinds of cylinder.

