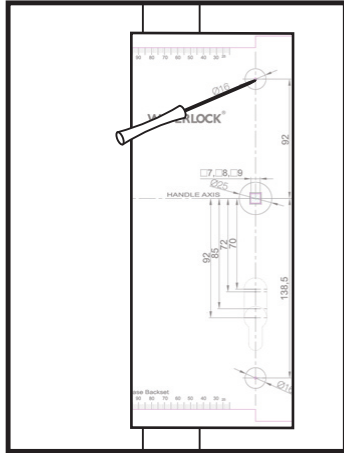


## BOX CONTENTS

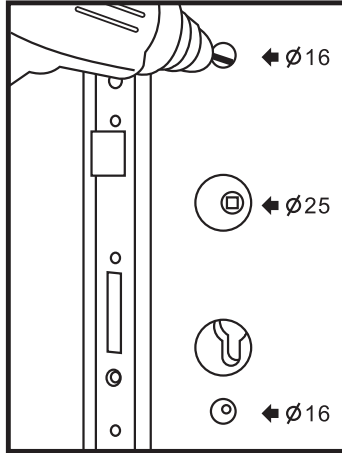
No.	Parts Name	Q'ty	Remark
1	Outer handle set	1	
2	Inner handle set	1	
3	Handle	2	
4	Battery holder	1	
5	CR2 lithium battery	1	CR2 3V
6	Cover plate	1	For the inner handle set
7	Fixing pole	2	
8	Spindle	1	
9	Hexagon driver (#1.5)	1	
10	Hexagon driver (#3.0)	1	
11	Screw	2	

# INSTALLATION GUIDE



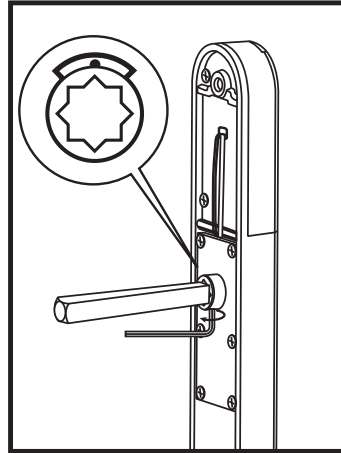
- 1** Place the Door Drilling Template on the door.

Use a pin driver to mark the point where you need to drill.



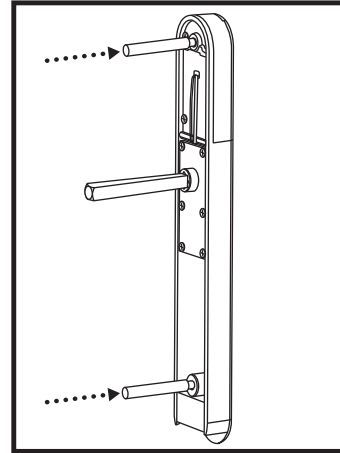
- 2** Drill the holes on the door according to the Door Drilling Template.

If there is an existing mortise lock, remove it before drilling.

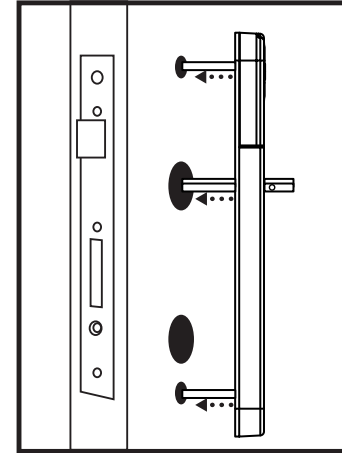


- 3** Install the spindle on the outer handle set and use hexagon driver (#1.5) to tighten the spindle.

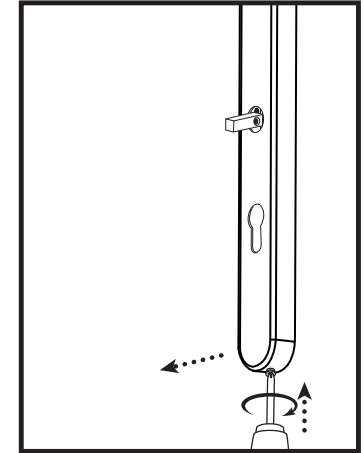
The screw hole of the spindle must be at the bottom and the mark of the coupling must be on the top.



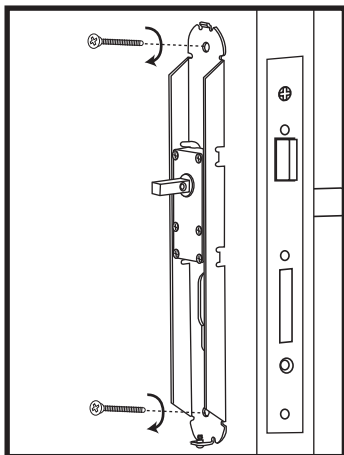
- 4** Screw two fixing poles on the outer handle set.



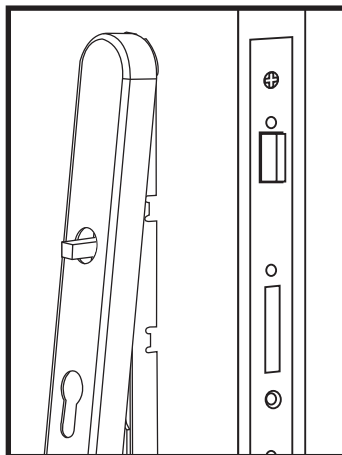
- 5** Install outer handle set on the door.



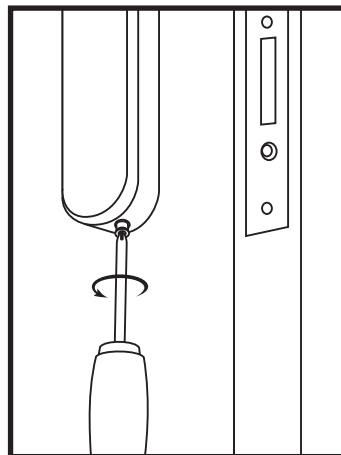
- 6** Turn the screw at the bottom of inner handle set clockwise (go inside) until the cover plate can be pulled out.



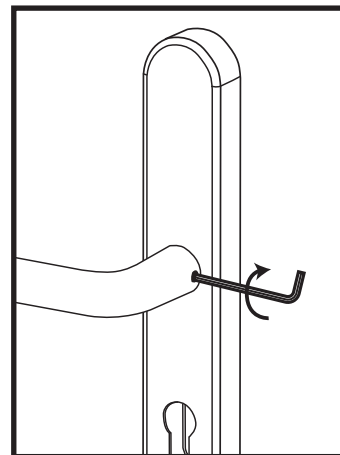
- 7** Install inner handle set on the door, and screw the outer handle set and inner handle set tightly.



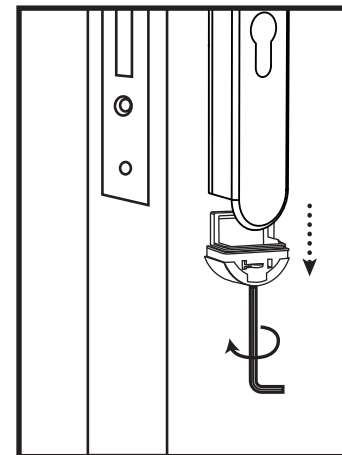
- 8** Put the cover plate on the inner handle set.



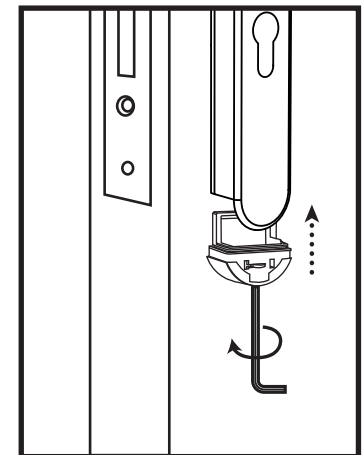
- 9** Turn the screw at the bottom of the inner handle set anti-clockwise (go outside) until you feel resistance.



- 10** Install the inner handle and use hexagon driver (#3.0) to tighten the screw on both inner and outer handle.



- 11** Use hexagon driver (#1.5) to turn the screw at the bottom of outer handle set anti-clockwise then pull out the battery holder.



- 12** Install CR2 lithium battery and install the battery holder back to the outer handle set.